



## Introducing the : MHM 4000 Static Compactor

[www.mhmrecycling.com](http://www.mhmrecycling.com)

### General Description

The MHM4000 Static Compactor is for high volume waste.

It is manufactured with an extra large charge box to take bigger items of industrial waste and it can handle civic amenity waste and is ideal for local authority sites.

Varieties of loading hoppers can be supplied including chute, conveyor and fork truck loading or by hydraulic bin lifter + safety cage

### Key Features

- High compaction ratio
- Reduced fire risk
- Reduces vermin threat
- Total waste containment
- Reduced odour
- Reduces collection costs
- Prevents windblown trash
- Prevents unauthorised access to waste
- Improved on-site hygiene
- Automated pinning off for ease of use
- Full 12 months on-site parts and labour warranty

### Technical Specification

Width:	2050mm
Length:	6200mm
Weight:	4500kg
Electric Motor:	11kw
Cycle time:	70 seconds
Aperture Length:	2500mm
Aperture Width:	1550mm
Ram Depth:	917mm
Compaction Force:	32 T



MHM (UK) LTD

Fenhouses Drove, Swineshead, Boston, Lincolnshire, PE20 3HE

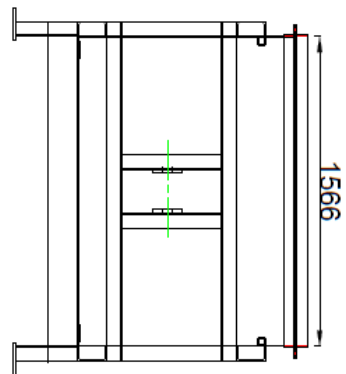
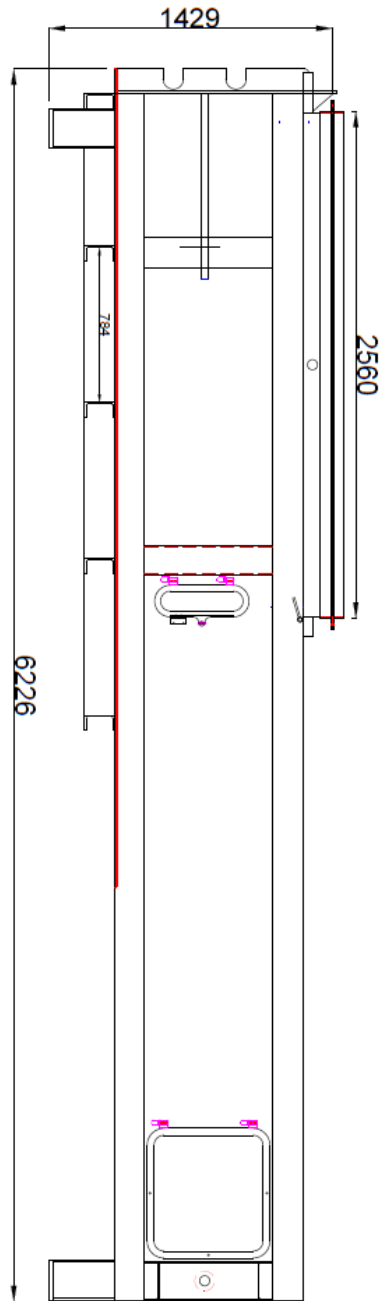
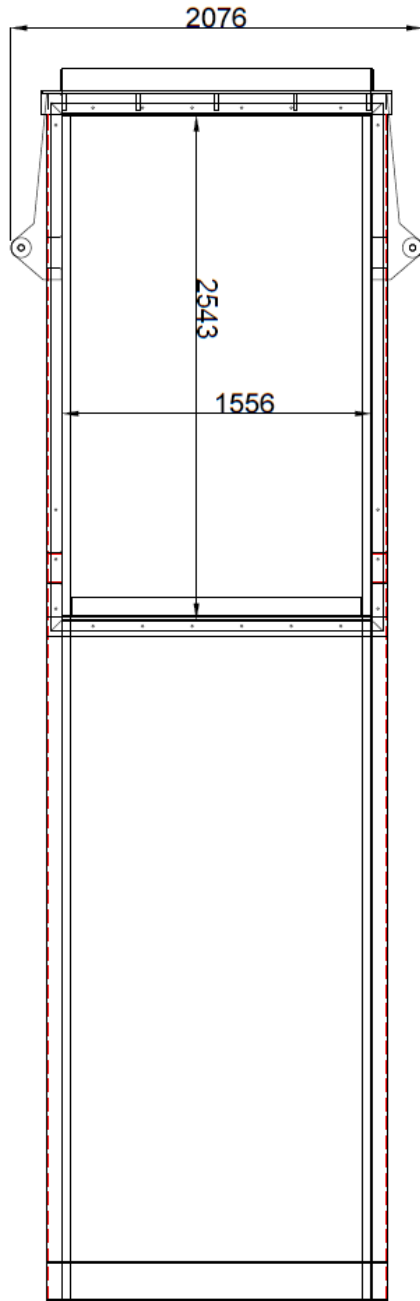
Tel : +44 (0)1205 821522 Fax: +44 (0)1205 821554

Email: [sales@mhmukltd.com](mailto:sales@mhmukltd.com)

Photographs for illustration purposes only

*MHM Recycling Equipment Manufacturer is a trading division of MHM (UK) LTD*

**CE**  
Marked



Photographs for illustration purposes only

MHM (UK) LTD  
 Fenhouses Drove, Swineshead, Boston, Lincolnshire, PE20 3HE  
 Tel : +44 (0)1205 821522 Fax: +44 (0)1205 821554  
 Email: sales@mhmukltd.com

